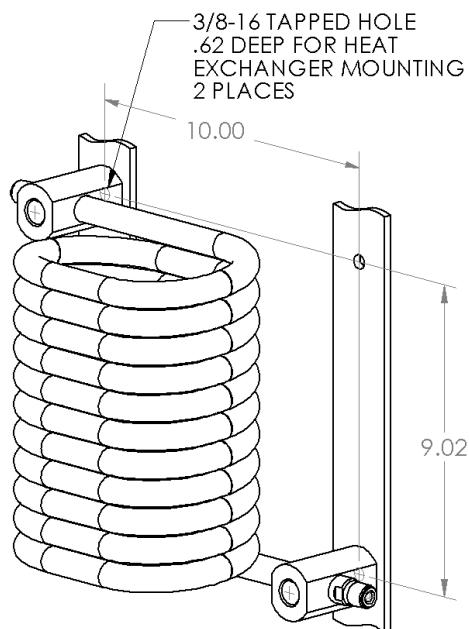


TUBE-IN-TUBE HEAT EXCHANGER INSTALLATION .75 INCH DIAMETER OUTER TUBE

Follow these instructions to reduce the risk of damage to the heat exchanger. Maximum heat transfer performance is obtained by connecting the heat exchanger for counter-current flow (the two fluid streams flowing in opposite directions). This is obtained by connecting the outlet of one fluid stream on the same end of the heat exchanger as the inlet of the other.

Proper installation will assure years of trouble-free performance. Minimize thermal, mechanical and dynamic stresses on the heat exchanger by taking the following steps:

- Mount the heat exchanger on a supporting structure using the tapped holes provided in the fittings. Never hang it from the plumbing.
- Isolate the heat exchanger from sources of vibration or impact.
- Include stress relief techniques in rigid plumbing. Tubing for connection generates less operational stress than pipe.
- Match connecting piping to the heat exchanger fitting size. Larger connecting pipe sizes may indicate a system mismatch.
- Avoid damaging the heat exchanger during fitting installation by using a second wrench on the heat exchanger wrench flats provided.
- Do not exceed the maximum operating pressures or temperatures described in the chart below.



9.02 dimension is mounting height for standard coil length. Height will vary with coil length.

