

Installation of optional Mounting Kit for 23 Series Heat Exchanger

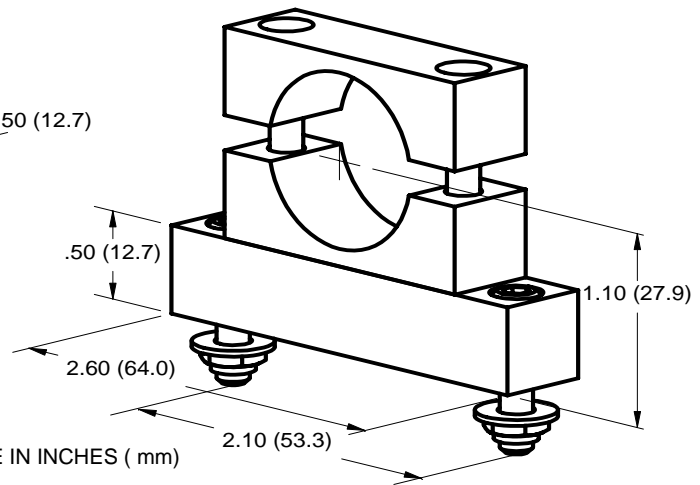
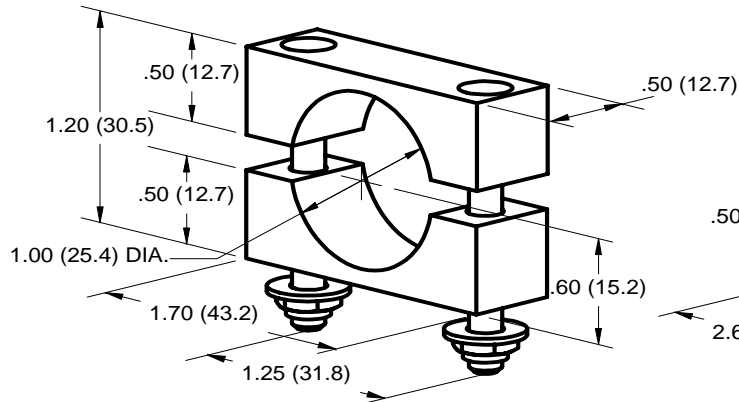
The Exergy heat exchanger mounting kit includes all of the hardware required to properly mount one heat exchanger. The heat exchanger may be mounted on a panel with through holes or with tapped holes. All hardware is stainless steel. Each kit contains all items listed below.

P/N: 00420-01; (MAIN KIT)

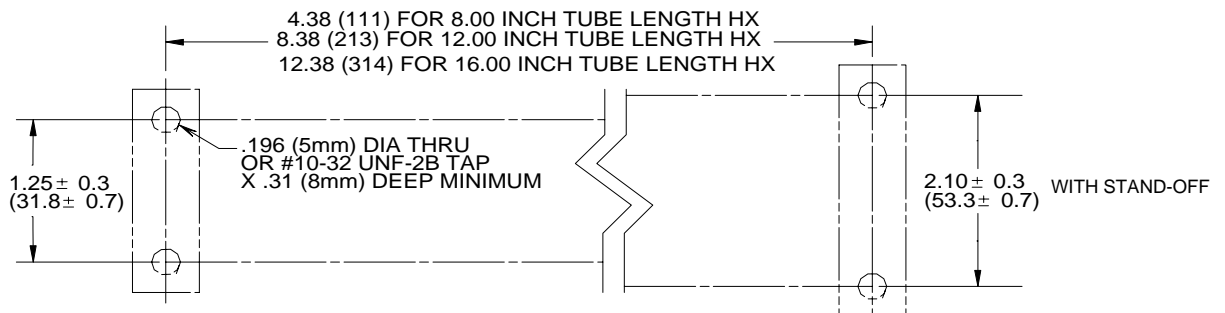
- 2 upper clamps (counterbored holes)
- 2 lower clamps (straight holes)
- Hardware for mounting to tapped holes
 - 4 #10-32 x 1.25" long socket head cap screws (torque to 40 lb-in (4.5 N-m))
 - 4 #10 high collar lock washers
- Hardware for mounting to through holes
 - 4 #10-32 x 1.50" long socket head cap screws (torque to 40 lb-in (4.5 N-m))
 - 4 #10 flat washers
 - 4 #10-32 self locking thin nuts

P/N: 00420-02; (OPTIONAL: STAND-OFF KIT)

- 2 mounting stand-off (2 counterbored holes & 2 tapped holes)
- Hardware for mounting to tapped holes
 - 4 #10-32 x .50" long socket head cap screws (torque to 40 lb-in (4.5 N-m))
 - 4 #10 high collar lock washers
- Hardware for mounting to through holes
 - 4 #10-32 x .75" long socket head cap screws (torque to 40 lb-in (4.5 N-m))



DIMENSIONS ARE IN INCHES (mm)



MAXIMUM PANEL THICKNESS FOR THROUGH HOLE MOUNTING IS .25 IN. (6.4mm) USING SCREWS PROVIDED

MOUNTING HOLE PATTERNS

